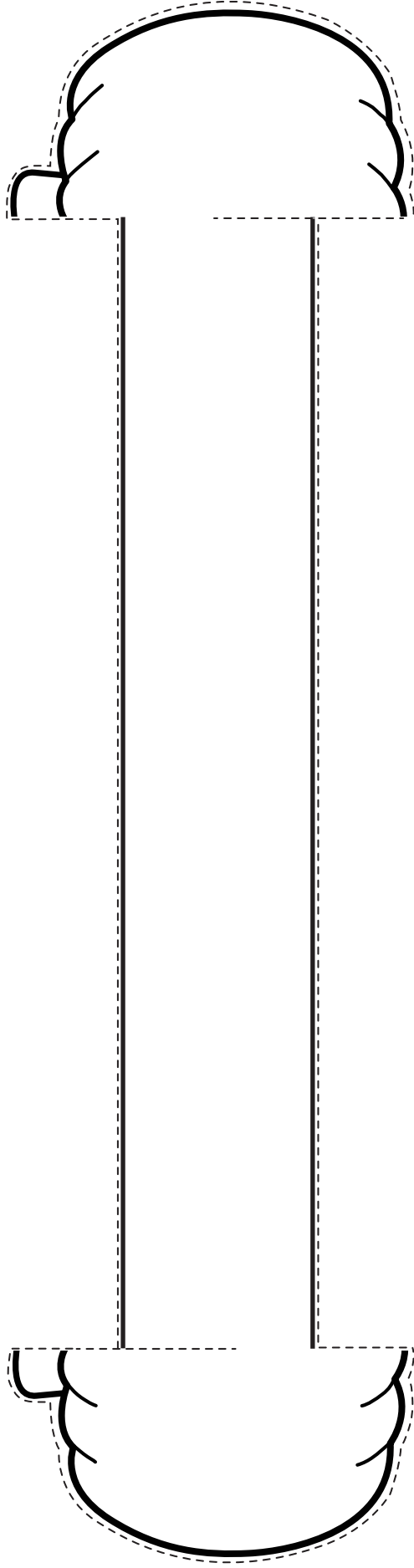
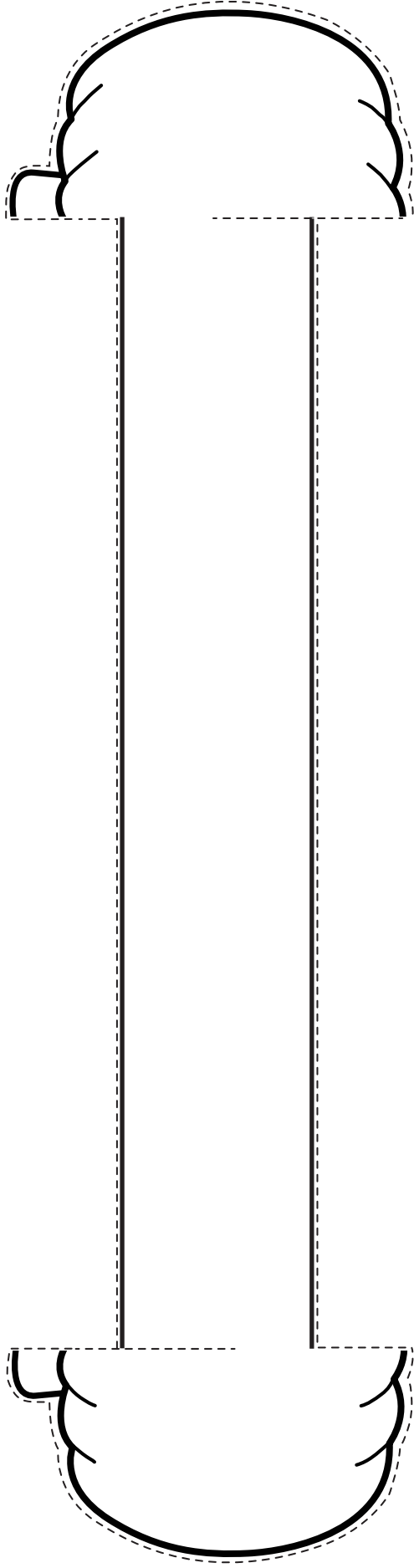


Best printed on heavier print paper or cardstock

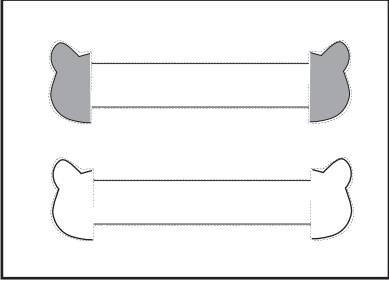
www.easypeasyandfun.com – For personal use and use in educational setting. Commercial use prohibited.



Best printed on heavier print paper or cardstock

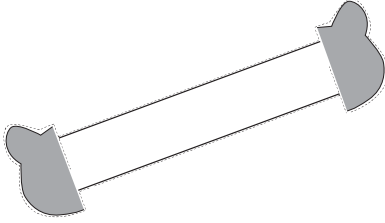
www.easypeasyandfun.com - For personal use and use in educational setting. Commercial use prohibited.

1.



Color the bracelet

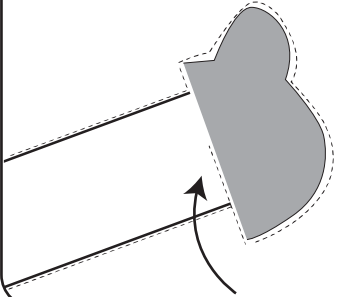
2.



Cut along the dashed lines.

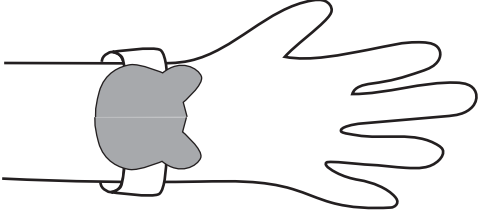
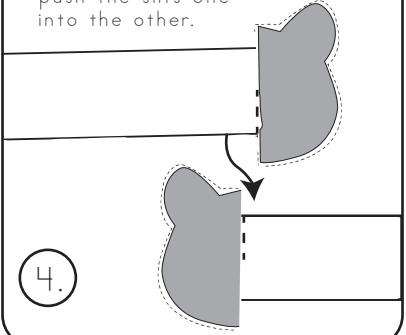
3.

Don't forget to cut along these dashed lines too!

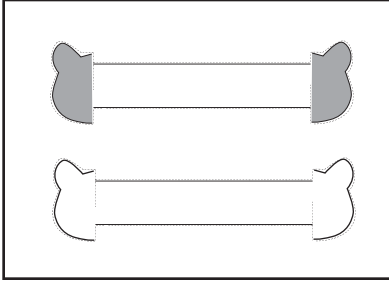


Bring the ends of the bracelet together (on your wrist) and push the slits one into the other.

4.

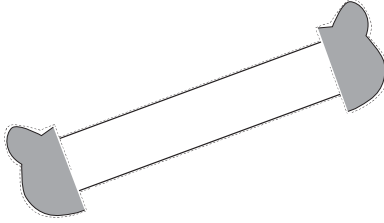


1.



Color the bracelet

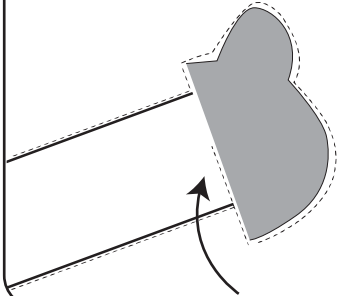
2.



Cut along the dashed lines.

3.

Don't forget to cut along these dashed lines too!



Bring the ends of the bracelet together (on your wrist) and push the slits one into the other.

4.

